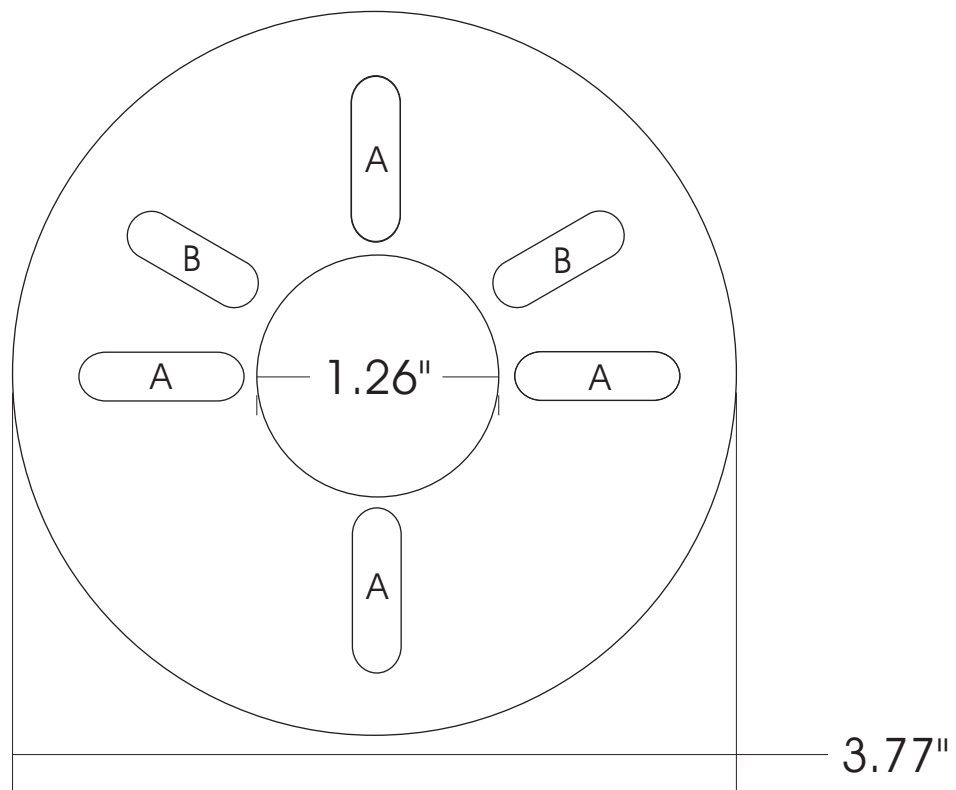




Multitool fits all popular brands of grinders with bolt-on type wheel guards using the standard adapter. We recommend at least 1/3 hp minimum power. Shaft size must be 1/2", 5/8", 3/4" or 14mm diameter. An instruction manual and fitting kit, including the universal adapter with radial slots as seen below, are included. Multitool will NOT fit a grinder with heavy cast wheel guards if the guards are used to retain the spindle bearings.

Dimensions of standard Adapter Plate (included)

Drawing is actual size and can be used to determine grinder compatability



Slots A are used on 4-bolt patterns, slot dims of .860 x .245
Slots B are used on 3-bolt patterns, slot dims of .730 x .245

Additional Questions? Please call toll free 877-826-7268
or email us at sales@vansantdistributing.com for assistance.